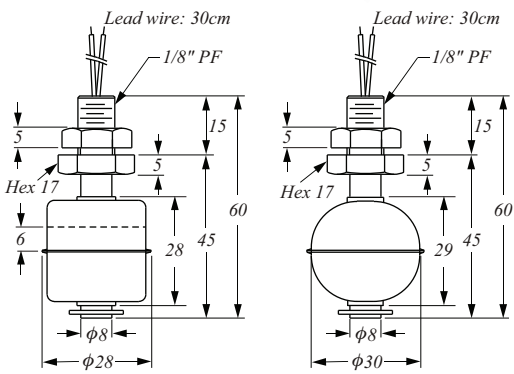


METAL TYPES

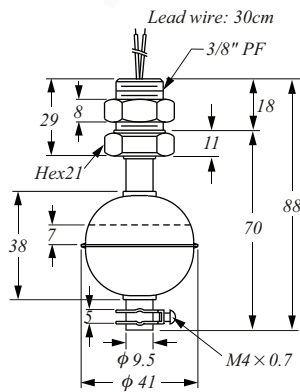
► FD 30□1/ FD 35□1



RU Drill hole $\phi 10\text{mm}$

WASHER: NBR

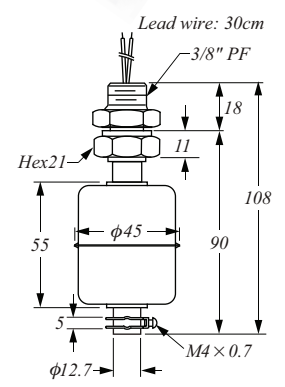
► FD 40□1



RU Drill hole $\phi 17\text{mm}$

WASHER: NBR

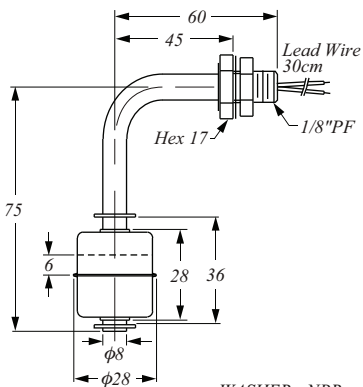
► FD 45□1



RU Drill hole $\phi 17\text{mm}$

WASHER: NBR

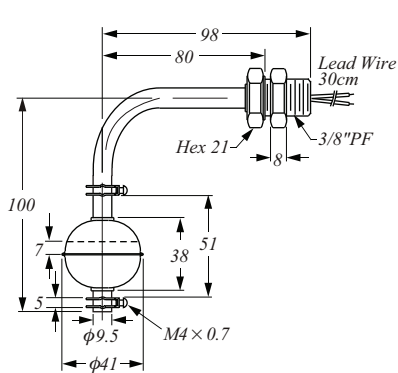
► FD 30□2



RU Drill hole $\phi 10\text{mm}$

WASHER: NBR

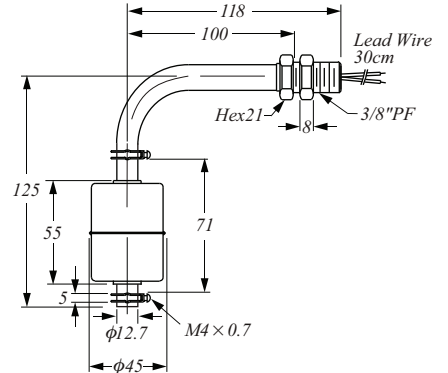
► FD 40□2



RU Drill hole $\phi 17\text{mm}$

WASHER: NBR

► FD 45□2



RU Drill hole $\phi 17\text{mm}$

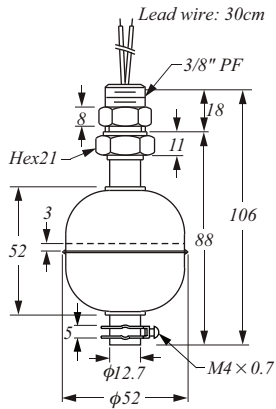
WASHER: NBR

METAL TYPES

► FD 50□1



WASHER: NBR

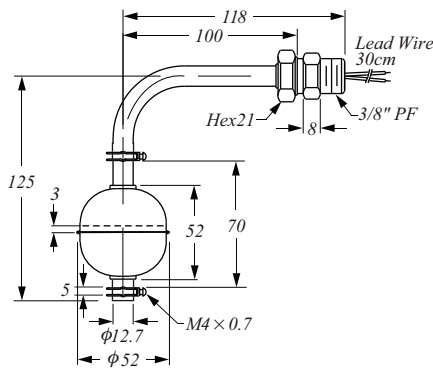


Drill hole φ17mm

► FD 50□2

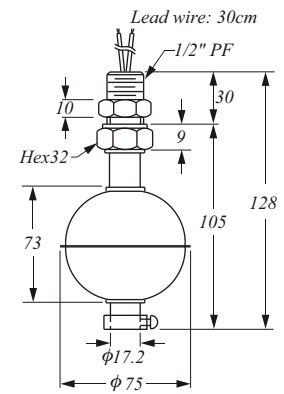


WASHER: NBR



Drill hole φ17mm

► FD 75□1



Drill hole φ21mm

■ SPECIFICATIONS

Description	Type	FD30□1D	FD40□1D	FD45□1D	FD50□1D	FD75□1G	FD10□1G
		FD30□2D	FD40□2D	FD45□2D	FD50□2D		
Switching Capacity Max.		50W SPST	50W SPST	50W SPST	50W SPST	60W SPDT	
Switching Voltage Max.		240Vac/200Vdc				220Vac	
Switching Current Max. (A)		0.5A	0.5A	0.5A	0.5A	2A	
Carry Current Max. (A)		1A	1A	1A	1A	3A	
Lead Wire		XLPE (UL3266, AWG22)					
Reversible Switch Action		YES	YES	YES	YES	NO	NO
Max. Pressure (Kg/cm ²)		10	30	12	30	30	10
Operating Temperature		-10~120°C (OPTION 200°C)					
Material		Stainless Steel SUS304, 316					
Suitable Specific Gravity		0.8	0.7	0.65	0.55	0.55	0.5

ORDER INFORMATION

FD

Order No./ Model _____

FD10 Float : **RF-10** ϕ 75x108, Screw : 1/2"PF

FD30 Float : **RF-30** ϕ 28x28, Screw : 1/8"PF

FD35 Float : **RF-35** ϕ 30x29, Screw : 1/8"PF

FD40 Float : **RF-40** ϕ 41x38, Screw : 3/8"PF

FD45 Float : **RF-45** ϕ 45x55, Screw : 3/8"PF

FD50 Float : **RF-50** ϕ 52x52, Screw : 3/8"PF

FD75 Float : **RF-75** ϕ 75x70, Screw : 1/2"PF

Material of Wetted parts _____

0 : SUS304


6 : SUS316

Mounting _____

1 : Top or Bottom Mounting

2 : Side Mounting

Switching Capacity Max. _____

D: 50W 200Vdc /240Vac SPST 

F: 10W 125Vac SPST

G: 60W 220Vac SPDT (only use for tube $\geq \phi 12.7$)

H: 3W 30Vac / 60Vdc SPDT (only use for tube $\leq \phi 9.5$)

Contact Form _____

A: Normal Open (N.O.) SPST

B: Normal Close (N.C.) SPST

C: 1C SPDT

D: N.C. Reversible

E: N.O. Reversible

Lead wire Length (XLPE 125°C) **L**: Unit=10cm _____

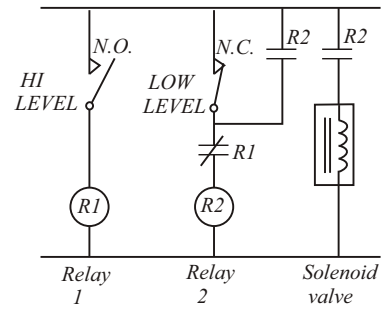
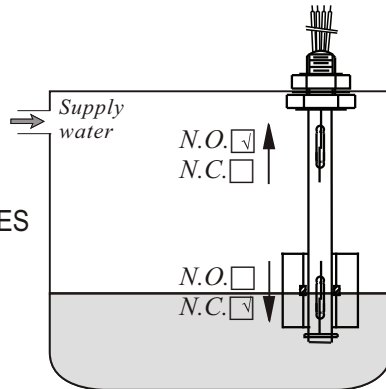
03: 30cm (Standard length)

05: 50cm

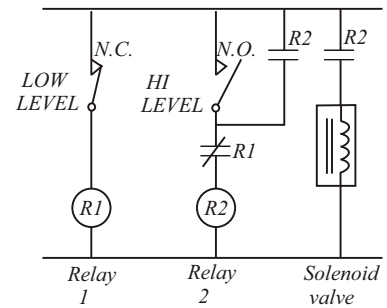
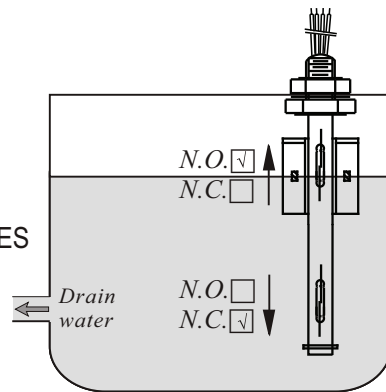
15: 150cm

TYPICAL WIRING DIAGRAMS

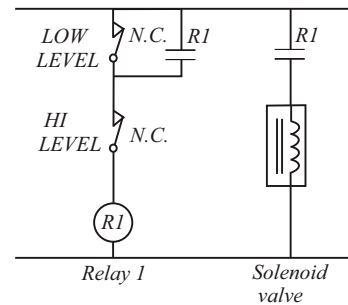
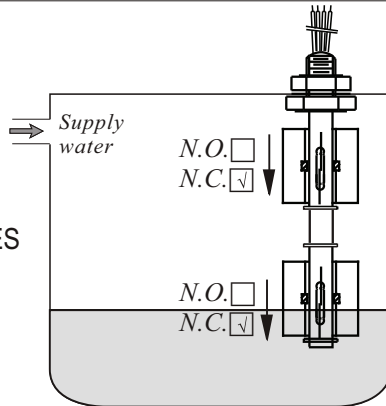
* AUTO SUPPLY CASE:
SINGLE FLOAT DUAL SWITCHES



* AUTO DRAIN CASE:
SINGLE FLOAT DUAL SWITCHES



* AUTO SUPPLY CASE:
DUAL FLOATS DUAL SWITCHES



* AUTO DRAIN CASE:
DUAL FLOATS DUAL SWITCHES

